

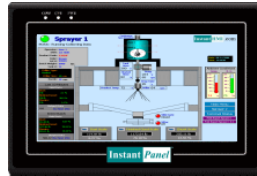
InstantPanel Specifications



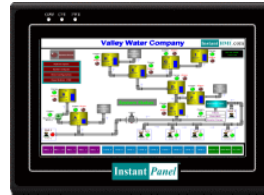
7" - 10"



10.4"



12.1"



15"



Model	CE XPE	5C-IP7ICE NA	5C-IP10ICE	5C-IP10XCE 5W-IP10XPE	5C-IP12XCE 5W-IP12XPE	5C-IP15XCE 5W-IP15XPE
Display	7" TFT		10" TFT	10.4" TFT	12.1" TFT	15.0" TFT
Brightness	450 cd/m ²		350 cd/m ²	400 cd/m ²	450 cd/m ²	350 cd/m ²
Max Colors	65536					
Contrast Ratio	500:1		300:1	400:1	500:1	550:1
Resolution (WxH dots)	800 x 480			800 x 600	800 x 600	1024x768
Back Light	LED			LED	CCFL x 2	CCFL x 2
CCFL Life Time	30,000 hr.			30,000 hr.	30,000 hr.	30,000 hr.
Touch Panel	4 wires resistive type			4 wire, Analog resistive	4 wire, Analog resistive	4 wire, Analog resistive
Touch Accuracy				±3.5%	2 mm	2 mm
Surface Hardness				4H	4H	4H
Serial Interface	COM1(RS232/RS485 2w/4w), COM2(RS232), COM3(RS232/RS485 2w)					
Processor	32 bit RISC 400 MHz (ARM)			LX800/500 MHz (X86)	LX800/500 MHz (X86)	LX800/500 MHz (X86)
Ethernet Port	10/100 Base-T			10/100 Base-T	10/100 Base-T	10/100 Base-T
USB Host	USB 1.1 x 1			USB 2.0 x 2	USB 2.0 x 3	USB 2.0 x 3, Mini USB Port
Audio	Line Out x 1			Line Out x 1, Mic x 1	Line Out x 1, Mic x 1	Line Out x 1, Mic x 1
Flash Memory - CE	128MB			256MB	256MB	256MB
Flash Memory - XP				4 GB	4 GB	4 GB
DRAM	64MB			256MB DDR400MHz	256MB DDR400MHz	256MB DDR400MHz
Memory card slot	SD			44-pin IDE Interface	44 Pins IDE Interface	44 Pins IDE Interface
I/O Port				PS/2 Port Connector	PS/2 Port Connector	PS/2 Port Connector
IDE Interface	128 MB flash memory			44 Pins IDE Interface	44 Pins IDE Interface	44 Pins IDE Interface
RTC	Built-in Real Time Clock			Built-in Real Time Clock	Built-in Real Time Clock	Built-in Real Time Clock
Input Voltage	24± 10% VDC			24VDC ± 5%	24VDC ± 5%	24VDC ± 5%
Power Consumption	250mA@24VDC	300mA@24VDC		1.25A @24VDC	0.8A @24VDC	1.0A @24VDC
CE	Complies with EN50081-2 and EN50082-2 Standard					
FCC	Complies with FCC Class A					
Vibration endurance	10 to 25 Hz (X,Y,Z direction 2G 30minutes)					
Protection Structure	IP65 Front Panel					
Operating Temperature	0 °C ~ 45°C (32 °F ~ 113°F)					
Storage Temperature	-20 °C ~ 60°C (-4 °F ~ 140°F)					
Enclosure	Plastic			Plastic	Plastic	aluminum
Voltage Resistance				500 VAC (1 min)	500 VAC (1 min)	500 VAC (1 min)
Isolation Resistance				Exceed 50MΩ at 500 VDC	Exceed 50MΩ at 500 VDC	Exceed 50MΩ at 500 VDC
Operating Humidity				10-90% RH (non-condense)	10-90% RH (non-condense)	10-90% RH (non-condense)
VESA screw holes	75mm Screw holes			VESA 75x75mm	VESA 75x75mm	VESA 75x75mm
Dimensions WxHxD	200x146x42.5mm	286x212x50mm		286x212x50mm	322x243x51mm	366x293x55mm
Panel Cutout Dimensions	192x138mm (7.559"x5.433")	259x201mm (10.20"x7.91")		259x201mm (10.20"x7.91")	305x231mm (12.1"x9.9")	352x279mm (13.86"x10.98")
Weight	0.85kg (1.87lb)	1.4kg (3.08b)		1.6kg (3.52lb)	2.1kg (4.62lb)	2.9kg (6.39lb)
Operating System	Window CE			Window CE or XPE	Window CE or XPE	Window CE or XPE



5C-IP7iCE Touch Panel Computer with 7" WVGA TFT Display



Features

- 7" 800x480 TFT LCD
- 400MHz RISC CPU
- Fan-less cooling system
- NEMA4/IP65 compliant front panel
- LED Back Lights
- One USB Host and one USB client port
- SD card slot
- Power Isolator inside

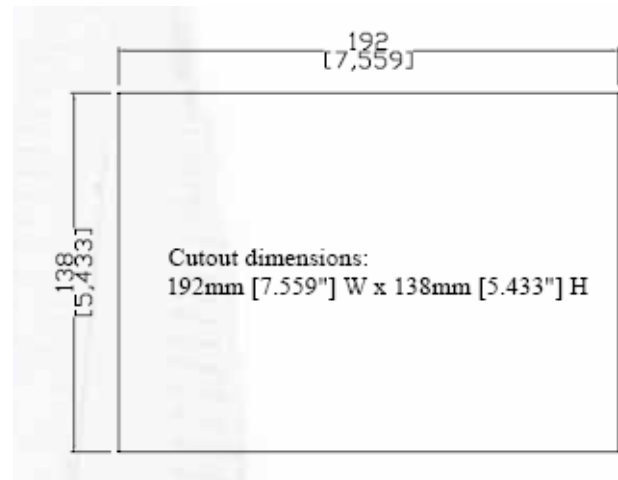
(Note: Sample HMI screen shown)

Introduction

The **5C-IP7iCE** is a miniature and compact platform with no redundant functions. Its RISC kernel, the ARM11 high performance micro-processor, supports Windows CE. ARM926EJ core integrates a 2D Graphics Accelerator and an added low power mode.

The 5C-IP7iCE is equipped with a USB 1.1 host, a USB 2.0 high speed device and SD card slot.

Specifications	
Construction:	plastic molding housing
Display:	7" color TFT LCD
CPU and core logic:	32 Bits RISC 400 MHz processor (ARM)
DRAM:	64 MB DDR2 on board
Storage:	128 MB flash memory on board
I/O:	3 serial ports: Com1: RS-232/RS-485 2w/4w, Com2: RS-232, Com3: RS-232/RS-485 2w 1 Ethernet port (10/100Base-T) 1 USB 1.1 host 1 USB 2.0 high speed device
RTC:	Built-in
Power input:	24± 10% V _{DC} , 250mA@24VDC
Dimension (WxHxD):	200 x 146 x 42.5mm
Weight	Approx. 0.85kg (1.87 lb)



Environmental Specifications

- Operating temperature:** 10° ~ 45°C (14° ~ 113°F)
- Relative humidity:** 10% ~ 90% @ 40°C, non-condensing
- Shock (operation):** 10 to 25Hz(X,Y,Z direction 2G 30minutes)
- EMI:** Complies with FCC Class A
- CE:** Complies with EN50081-2 and EN50082-2 standards
- Front panel meets NEMA4 / IP65**

Touchscreen

- Type:** 4-wire, analog resistive
- Resolution:** continuous
- Light transmission:** above 80%
- Life:** 1 million activation minimum

LCD Display	
Display type	TFT LCD
Display size (diagonal)	7"
Max colors	65536
Resolution	800 x 480
Pixel pitch (HxV, mm)	0.1905 x 0.0635
Viewing angle (°)	70/50/70/70(T/B/R/L)
Luminance (cd/m²)	300
Backlight	LED
Backlight life time	30,000 hrs.
Contrast ratio	500:1

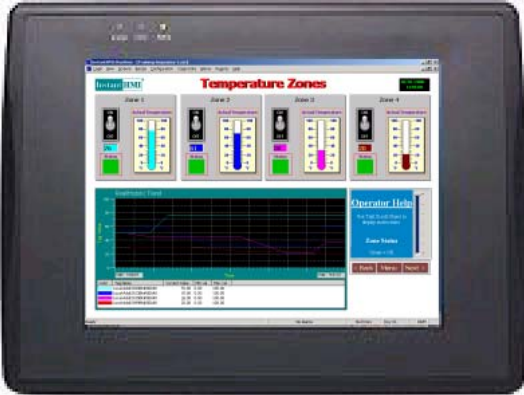
Ordering Info

5C-IP70iCE

Note: Manufacturer's warranty applies on all hardware. Specifications subject to change without notice.
Copyright © 2005-2012 Software Horizons Inc., 100 Treble Cove Road, N. Billerica, MA 01862, USA www.InstantHMI.com



5C-IP10iCE Touch Panel Computer with 10" WVGA TFT Display



Features

- 10" 800x480 TFT LCD
- Fan-less cooling system
- Built-in flash memory and RTC
- NEMA4/IP65 compliant front panel
- LED Back Light
- One USB Host and one USB client port
- SD card slot
- Power Isolator inside

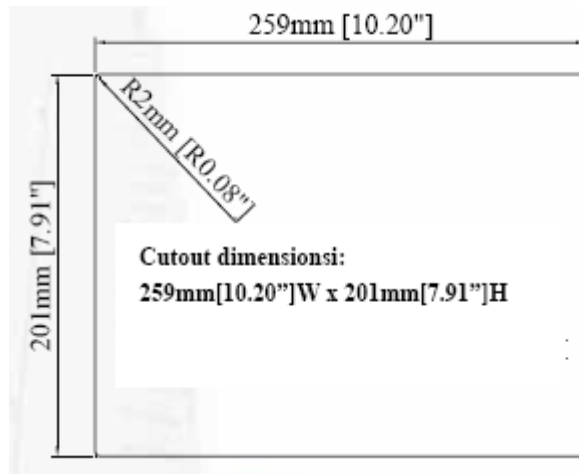
(Note: Sample HMI screen shown)

Introduction

The 5C-IP10i-CE is a miniature and compact platform that has no redundant functions. Its RISC kernel, the ARM11 high performance micro-processor, that supports Windows CE. The ARM926EJ core, the integration of a 2D Graphics Accelerator, an added low power mode.

The IP-10i-CE is equipped with a USB 1.1 host, a USB 2.0 high speed device and SD card slot.

Specifications	
Construction:	plastic molding housing
Display:	10" color TFT LCD
CPU and core logic:	32 Bits RISC 400 MHz processor
DRAM:	64 MB DDR2 on board
Storage:	128 MB flash memory on board, (User project size: 16MB, Data and Event log size: 50MB)
I/O:	3 serial ports: Com1: RS-232/RS-485 2w/4w, Com2: RS-232, Com3: RS-232/RS-485 2w 1 Ethernet port (10/100Base-T) 1 USB 1.1 host 1 USB 2.0 high speed device
RTC:	Built-in
Power input:	24± 10% V _{dc} ,250mA@24VDC
Dimension (WxHxD):	286 x 212 x 50mm
Weight	1.4kg (3.08 lb)



Environmental Specifications

- Operating temperature:** 10° ~ 45°C (14° ~ 113°F)
- Relative humidity:** 10% ~ 90% @ 40°C, non-condensing
- Shock (operation):** 10 to 25Hz(X,Y,Z direction 2G 30minutes)
- EMI:** Complies with FCC Class A
- CE:** Complies with EN50081-2 and EN50082-2 standards
- Front panel meets NEMA4 / IP65**

Touchscreen

- Type:** 4-wire, analog resistive
- Resolution:** continuous
- Light transmission:** above 80%
- Life:** 1 million activation minimum

LCD Display	
Display type	TFT LCD
Display size (diagonal)	10"
Max colors	65536
Resolution	800 x 480
Pixel pitch (HxV, mm)	0.1905 x 0.0635
Viewing angle (°)	45/65/65/65(T/B/R/L)
Luminance (cd/m²)	350
Backlight	LED
Backlight life time	30,000 hrs.
Contrast ratio	300:1

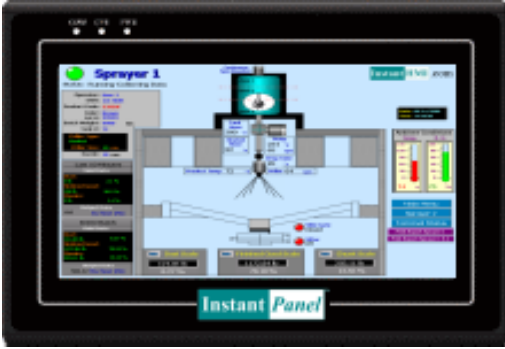
Ordering Info

5C-IP10iCE

Note: Manufacturer's warranty applies on all hardware. Specifications subject to change without notice.
Copyright © 2005-2012 Software Horizons Inc., 100 Treble Cove Road, N. Billerica, MA 01862, USA www.InstantHMI.com



5C-IP10XCE / 5W-IP10XPE Touch Panel Computer with 10.4" VGA TFT Display



Features

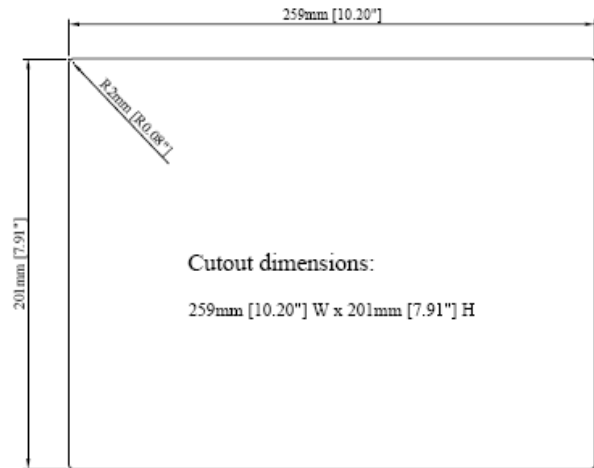
- 10.4" VGA TFT LCS
- AMD Geode™ LX800/500MHz core processor speed
- Fan-less cooling system
- Disk on module and Windows CE or XPE OS inside
- NEMA4/IP65 compliant front panel
- On-board 256MB DDR-400MHz SDRAM
- 44-pin IDE Interface
- High performance 2D accelerator graphic controller, supporting 8-64MB shared display memory

(Note: Sample HMI screen shown)

Introduction

The **5C-IP10XCE / 5W-IP10XPE** is a miniature and compact platform that has excellent system performance and function. The x86 CPU Core provides the maximum compatibility with the vast amount of Internet content available while the intelligent integration of several other functions, including graphics, makes the AMD Geode™ LX processor a true system level multimedia solution.

Specifications	
Construction:	plastic molding housing
Display:	10.4" 800x600 65536 color TFT LCD
CPU and core logic:	AMD Geode™ LX800/500MHz core processor (X86)
DRAM:	256MB on board DDR-400MHz SDRAM
Storage:	44-pin IDE interface. DOM
I/O:	3 serial ports: Com1: RS-232/RS-485 2w/4w, Com2: RS-232, Com3: RS-232/RS-485 2w 1 Ethernet port (10/100Base-T) 2 USB 2.0 full-speed host (12Mbps) SD CARD Slot PS/2 Port Connector
Sound output:	97'97 Stereo output
RTC:	Built-in
Power input:	24 V _{dc} , 440mA maximum
Dimension (WxHxD):	286x212x50mm
Weight	Approx. 1.6kg (3.52 lb)



Environmental Specifications

- Operating temperature:** 0° ~ 45°C (32° ~ 113°F)
- Relative humidity:** 10% ~ 90% @ 40°C, non-condensing
- Shock (operation):** 10 to 25Hz(X,Y,Z direction 2G 30minutes)
- EMI:** Complies with FCC Class A
- CE:** Complies with EN50081-2 and EN50082-2 standards
- Front panel meets NEMA4 / IP65**

Touchscreen

- Type:** 4-wire, analog resistive
- Resolution:** continuous
- Touch Accuracy:** ±3.5%
- Light transmission:** above 80%
- Life:** 1 million activation minimum

LCD Display	
Display type	TFT LCD
Display size (diagonal)	10.4"
Max colors	65536
Resolution	800 x 600
Pixel pitch (HxV, mm)	0.33 x 0.33
Luminance (cd/m²)	400
Storage temperature (°C)	-20~60
Operating temperature (°C)	0~45
Backlight	LED
Backlight life time	30,000 hrs.
Contrast ratio	400:1

Ordering Info

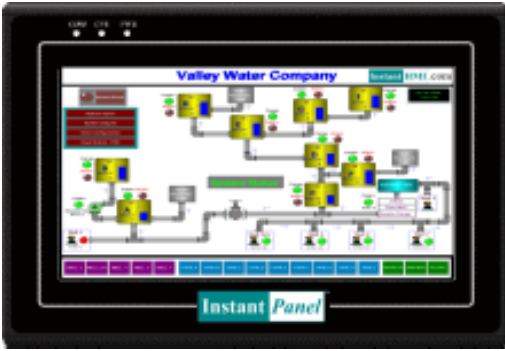
5C-IP10XCE or **5W-IP10XPE**

Note: Manufacturer's warranty applies on all hardware. Specifications subject to change without notice.

Copyright © 2005-2012 Software Horizons Inc., 100 Treble Cove Road, N. Billerica, MA 01862, USA www.InstantHMI.com



5C-IP12XCE / 5W-IP12XPE Touch Panel Computer with 12.1" SVGA TFT Display



Features

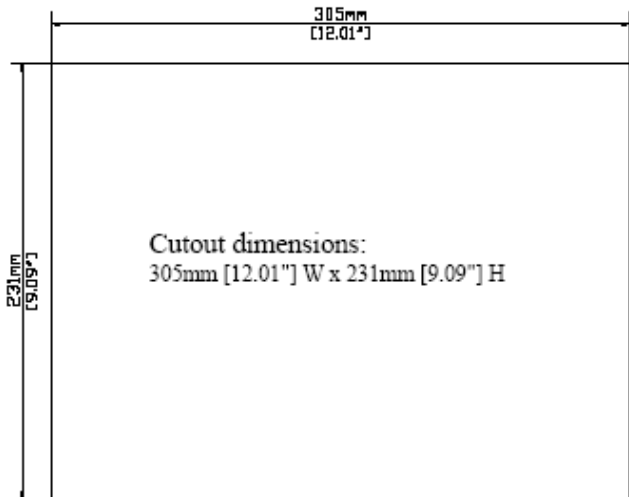
- 12.1" SVGA 18-bit TFT LCD
- AMD Geode™ LX800/500MHz core processor speed
- Fan-less cooling system
- NEMA4/IP65 compliant front panel
- On-board 256MB DDR-400MHz SDRAM
- 44-pin IDE interface (D.O.M)
- High performance 2D accelerator graphic controller, supporting 8~128MB shared display memory

(Note: Sample HMI screen shown)

Introduction

The 5C-IP12XCE / 5W-IP12XPE is a miniature and compact platform that has excellent system performance and function. The x86 CPU Core provides the maximum compatibility with the vast amount of Internet content available while the intelligent integration of several other functions, including graphics, makes the AMD Geode™ LX processor a true system level multimedia solution.

Specifications	
Construction:	plastic molding housing
Display:	12.1" SVGA Color TFT LCD
CPU and core logic:	AMD Geode™ LX800/500MHz core processor (X86)
System BIOS:	award PnP BIOS
DRAM:	256MB on board DDR-400MHz SDRAM
Storage:	44-pin IDE interface.
I/O:	3 serial ports: Com1: RS-232/RS-485 2w/4w, Com2: RS-232, Com3: RS-232/RS-485 2w
	1 Ethernet port (10/100Base-T)
	3 USB 2.0 full-speed host ports (12Mbps)
	1 Mini USB full-speed port (12Mbps)
	AC'97 Stereo codec
Sound output:	AC'97 Stereo codec
RTC:	Built-in
Power input:	24 VDC, 0.8A maximum
Dimension (W H x D):	322 x 243 x 51mm
Weight:	about 2.1kg (6.38 lb)



Environmental Specifications

- Operating temperature:** 0° ~ 45°C (32° ~ 113°F)
- Relative humidity:** 10% ~ 90% @ 40°C, non-condensing
- Shock (operation):** 10 to 25Hz(X,Y,Z direction 2G 30minutes)
- EMI:** Complies with FCC Class A
- CE:** Complies with EN50081-2 and EN50082-2 standards
- Front panel meets NEMA4 / IP65**

Touchscreen

- Type:** 4-wire, analog resistive
- Resolution:** continuous
- Light transmission:** above 80%
- Life:** 1 million activation minimum

LCD Display	
Display type	TFT color LCD
Display size (diagonal)	12.1"
Max colors	65536
Resolution	800 x 600
Pixel pitch (HxV, mm)	0.3075 x 0.3075
Viewing angle (°)	50/60/70/70 (T/B/R/L)
Luminance (cd/m²)	450
Backlight	2 x CCFLs
Contrast ratio	500:1

Ordering Info

5C-IP12XCE or 5W-IP12XPE

Note: Manufacturer's warranty applies on all hardware. Specifications subject to change without notice.

Copyright © 2005-2012 Software Horizons Inc., 100 Treble Cove Road, N. Billerica, MA 01862, USA www.InstantHMI.com



5C-IP15XCE / 5W-IP15XPE Touch Panel Computer with 15" XGA TFT Display



Features

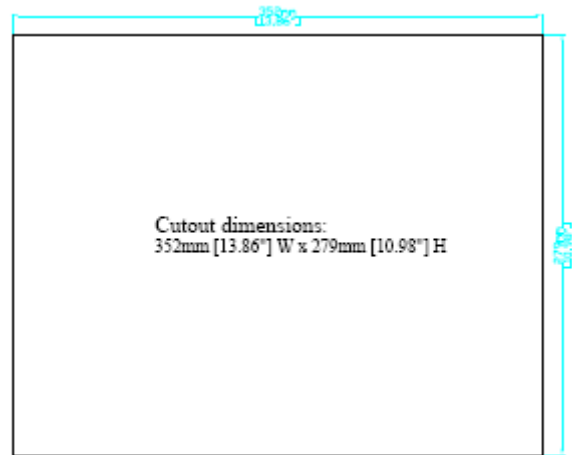
- 15.0" XGA TFT LCD
- AMD Geode™ LX800/500MHz core processor speed
- Fan-less cooling system
- NEMA4/IP65 compliant front panel
- On-board 256MB DDR-400MHz SDRAM
- 44-pin IDE interface
- High performance 2D accelerator graphic controller, supporting 8~128MB shared display memory
- D-sub VGA out

(Note: Sample HMI screen shown)

Introduction

The 5C-IP15XCE / 5W-IP15XPE is a miniature and compact platform that has excellent system performance and function, The x86 CPU Core provides maximum compatibility with the vast amount of Internet content available while the intelligent integration of several other functions, including graphics, makes the AMD Geode™ LX processor a true system level multimedia solutions.

Specifications	
Construction:	Aluminum housing
Display:	15" XGA Color TFT LCD
CPU and core logic:	AMD Geode™ LX800/500MHz core processor (X86)
System BIOS:	award PnP BIOS
DRAM:	256MB on board DDR-400MHz SDRAM
Storage:	44-pin IDE interface.
I/O:	3 serial ports: Com1: RS-232/RS-485 2w/4w, Com2: RS-232, Com3: RS-232/RS-485 2w
Sound output:	1 Ethernet port (10/100Base-T)
RTC:	3 USB 2.0 full-speed host ports (12Mbps)
Power input:	1 Mini USB full-speed port (12Mbps)
Dimension (W H x D):	AC'97 Stereo codec
Weight:	Built-in
	24 VDC, 0.8A maximum
	366 x 293 x 55mm
	about 2.9kg (6.38 lb)



Environmental Specifications

- Operating temperature:** 0° ~ 45°C (32° ~ 113°F)
- Relative humidity:** 10% ~ 90% @ 40°C, non-condensing
- Shock (operation):** 10 to 25Hz(X,Y,Z direction 2G 30minutes)
- EMI:** Complies with FCC Class A
- CE:** Complies with EN50081-2 and EN50082-2 standards
- Front panel meets NEMA4 / IP65**

Touchscreen

- Type:** 4-wire, analog resistive
- Resolution:** continuous
- Light transmission:** above 80%
- Life:** 1 million activation minimum

LCD Display	
Display type	TFT color LCD
Display size (diagonal)	15"
Max colors	65536
Resolution	1024 x 768
Pixel pitch (HxV, mm)	0.297 x 0.297
Viewing angle (°)	65/60/70/70 (T/B/R/L)
Luminance (cd/m²)	350
Backlight	2 CCFLs
Contrast ratio	550:1

Ordering Info

5C-IP15XCE or 5W-IP15XPE

Note: Manufacturer's warranty applies on all hardware. Specifications subject to change without notice.

Copyright © 2005-2012 Software Horizons Inc., 100 Treble Cove Road, N. Billerica, MA 01862, USA www.InstantHMI.com

