
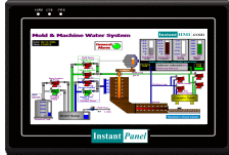
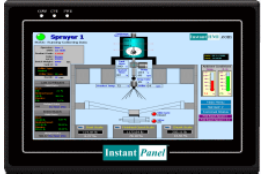


# InstantPanel Specifications (i Series)

	7"	10"
  		
Model	5C-IP7iCE	5C-IP10iCE
Display	7" TFT	10" TFT
Brightness	450 cd/m2	350 cd/m2
Max Colors	65536	65536
Contrast Ratio	500:1	300:1
Resolution (WxH dots)	800 x 480	800 x 480
Back Light	LED	LED
CCFL Life Time	30,000 hr.	30,000 hr.
Touch Panel	4 wires resistive type	4 wires resistive type
Serial Interface	COM1(RS232/RS485 2w/4w), COM2(RS232), COM3(RS232/RS485 2w)	
Processor	32 bit RISC 400 MHz (ARM)	32 bit RISC 400 MHz (ARM)
Ethernet Port	10/100 Base-T	10/100 Base-T
USB Host	USB 1.1 x 1	USB 1.1 x 1
Audio	Line Out x 1	Line Out x 1
Flash Memory - CE	128MB	128MB
DRAM	64MB	64MB
Memory card slot	SD	SD
IDE Interface	128 MB flash memory	128 MB flash memory
RTC	Built-in Real Time Clock	Built-in Real Time Clock
Input Voltage	24± 10% VDC	24± 10% VDC
Power Consumption	250mA@24VDC	300mA@24VDC
CE	Complies with EN50081-2 and EN50082-2 Standard	
FCC	Complies with FCC Class A	
Vibration endurance	10 to 25 Hz (X,Y,Z direction 2G 30minutes)	
Protection Structure	IP65 Front Panel	
Operating Temperature	0 oC ~ 45oC (32 oF ~ 113oF)	
Storage Temperature	-20 oC ~ 60oC (-4 oF ~ 140oF)	
Enclosure	Plastic	Plastic
VESA screw holes	75mm Screw holes	75mm Screw holes
Dimensions WxHxD	200x146x42.5mm	286x212x50mm
Panel Cutout Dimensions	192x138mm (7.559"x5.433")	259x201mm (10.20"x7.91")
Weight	0.85kg (1.87lb)	1.4kg (3.08b)
Operating System	Window CE	Window CE



# 5C-IP7iCE Touch Panel Computer with 7" WVGA TFT Display



## Features

- 7" 800x480 TFT LCD
- 400MHz RISC CPU
- Fan-less cooling system
- NEMA4/IP65 compliant front panel
- LED Back Lights
- One USB Host and one USB client port
- SD card slot
- Power Isolator inside

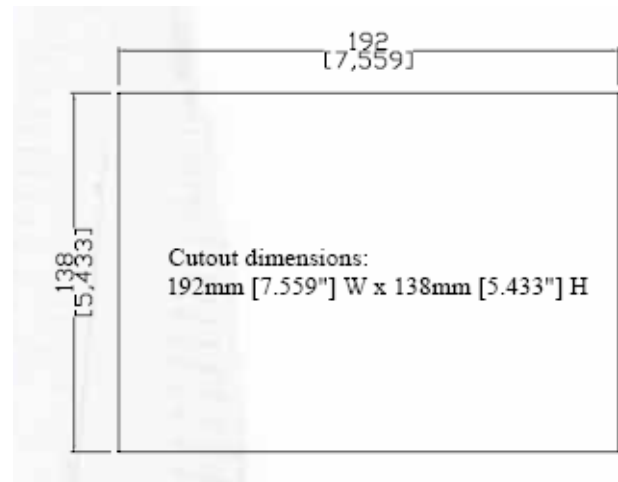
(Note: Sample HMI screen shown)

## Introduction

The **5C-IP7iCE** is a miniature and compact platform with no redundant functions. Its RISC kernel, the ARM11 high performance micro-processor, supports Windows CE. ARM926EJ core integrates a 2D Graphics Accelerator and an added low power mode.

The 5C-IP7iCE is equipped with a USB 1.1 host, a USB 2.0 high speed device and SD card slot.

Specifications	
<b>Construction:</b>	plastic molding housing
<b>Display:</b>	7" color TFT LCD
<b>CPU and core logic:</b>	32 Bits RISC 400 MHz processor (ARM)
<b>DRAM:</b>	64 MB DDR2 on board
<b>Storage:</b>	128 MB flash memory on board
<b>I/O:</b>	3 serial ports: Com1: RS-232/RS-485 2w/4w, Com2: RS-232, Com3: RS-232/RS-485 2w 1 Ethernet port (10/100Base-T) 1 USB 1.1 host 1 USB 2.0 high speed device
<b>RTC:</b>	Built-in
<b>Power input:</b>	24± 10% V <sub>DC</sub> ,250mA@24VDC
<b>Dimension (WxHxD):</b>	200 x 146 x 42.5mm
<b>Weight</b>	Approx. 0.85kg (1.87 lb)



## Environmental Specifications

- Operating temperature:** 10° ~ 45°C (14° ~ 113°F)
- Relative humidity:** 10% ~ 90% @ 40°C, non-condensing
- Shock (operation):** 10 to 25Hz(X,Y,Z direction 2G 30minutes)
- EMI:** Complies with FCC Class A
- CE:** Complies with EN50081-2 and EN50082-2 standards
- Front panel meets NEMA4 / IP65**

## Touchscreen

- Type:** 4-wire, analog resistive
- Resolution:** continuous
- Light transmission:** above 80%
- Life:** 1 million activation minimum

LCD Display	
<b>Display type</b>	TFT LCD
<b>Display size (diagonal)</b>	7"
<b>Max colors</b>	65536
<b>Resolution</b>	800 x 480
<b>Pixel pitch (HxV, mm)</b>	0.1905 x 0.0635
<b>Viewing angle (°)</b>	70/50/70/70(T/B/R/L)
<b>Luminance (cd/m<sup>2</sup>)</b>	300
<b>Backlight</b>	LED
<b>Backlight life time</b>	30,000 hrs.
<b>Contrast ratio</b>	500:1

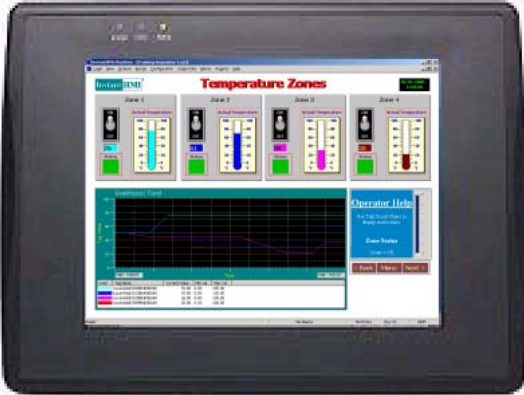
## Ordering Info

**5C-IP70iCE**

**Note:** Manufacturer's warranty applies on all hardware. Specifications subject to change without notice.  
Copyright © 2005-2012 Software Horizons Inc., 100 Treble Cove Road, N. Billerica, MA 01862, USA [www.InstantHMI.com](http://www.InstantHMI.com)



# 5C-IP10iCE Touch Panel Computer with 10" WVGA TFT Display



## Features

- 10" 800x480 TFT LCD
- Fan-less cooling system
- Built-in flash memory and RTC
- NEMA4/IP65 compliant front panel
- LED Back Light
- One USB Host and one USB client port
- SD card slot
- Power Isolator inside

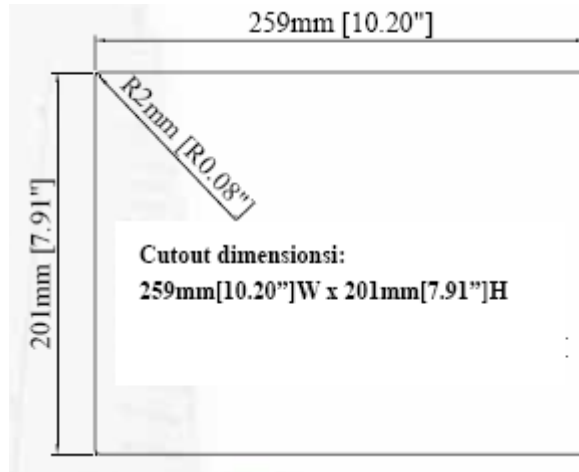
(Note: Sample HMI screen shown)

## Introduction

The 5C-IP10i-CE is a miniature and compact platform that has no redundant functions. Its RISC kernel, the ARM11 high performance micro-processor, that supports Windows CE. The ARM926EJ core, the integration of a 2D Graphics Accelerator, an added low power mode.

The IP-10i-CE is equipped with a USB 1.1 host, a USB 2.0 high speed device and SD card slot.

Specifications	
<b>Construction:</b>	plastic molding housing
<b>Display:</b>	10" color TFT LCD
<b>CPU and core logic:</b>	32 Bits RISC 400 MHz processor
<b>DRAM:</b>	64 MB DDR2 on board
<b>Storage:</b>	128 MB flash memory on board, (User project size: 16MB, Data and Event log size: 50MB)
<b>I/O:</b>	3 serial ports: Com1: RS-232/RS-485 2w/4w, Com2: RS-232, Com3: RS-232/RS-485 2w 1 Ethernet port (10/100Base-T) 1 USB 1.1 host 1 USB 2.0 high speed device
<b>RTC:</b>	Built-in
<b>Power input:</b>	24± 10% V <sub>dc</sub> ,250mA@24VDC
<b>Dimension (WxHxD):</b>	286 x 212 x 50mm
<b>Weight</b>	1.4kg (3.08 lb)



## Environmental Specifications

- Operating temperature:** 10° ~ 45°C (14° ~ 113°F)
- Relative humidity:** 10% ~ 90% @ 40°C, non-condensing
- Shock (operation):** 10 to 25Hz(X,Y,Z direction 2G 30minutes)
- EMI:** Complies with FCC Class A
- CE:** Complies with EN50081-2 and EN50082-2 standards
- Front panel meets NEMA4 / IP65**

## Touchscreen

- Type:** 4-wire, analog resistive
- Resolution:** continuous
- Light transmission:** above 80%
- Life:** 1 million activation minimum

LCD Display	
<b>Display type</b>	TFT LCD
<b>Display size (diagonal)</b>	10"
<b>Max colors</b>	65536
<b>Resolution</b>	800 x 480
<b>Pixel pitch (HxV, mm)</b>	0.1905 x 0.0635
<b>Viewing angle (°)</b>	45/65/65/65(T/B/R/L)
<b>Luminance (cd/m<sup>2</sup>)</b>	350
<b>Backlight</b>	LED
<b>Backlight life time</b>	30,000 hrs.
<b>Contrast ratio</b>	300:1

## Ordering Info

### 5C-IP10iCE

**Note:** Manufacturer's warranty applies on all hardware. Specifications subject to change without notice.

Copyright © 2005-2012 Software Horizons Inc., 100 Treble Cove Road, N. Billerica, MA 01862, USA [www.InstantHMI.com](http://www.InstantHMI.com)

