


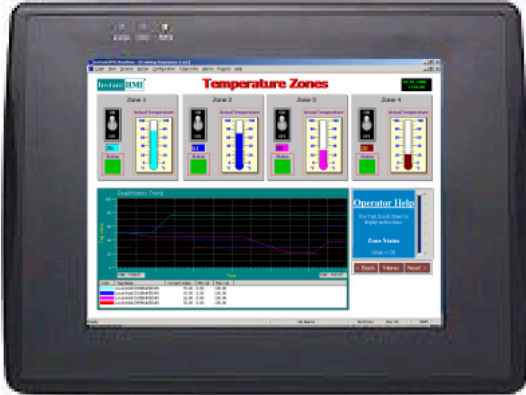


# InstantPanel i-Series Specifications

Model	IP-7i-CE	IP-10i-CE
		
Display	7" TFT	10" TFT
Brightness	450 cd/m2	300 cd/m2
Color	65536 color	
Contrast Ratio	500:1	300:1
Resolution (WxH dots)	800 x 480	
CCFL Life Time	30,000 hr.	
Touch Panel	4 wires resistive type	
Touch Resolution	Continuous	
I/O Port	Com1(RS232/RS485 2w/4w), Com2(RS232), Com3(RS232/RS485 2w)	
Ethernet Port	10/100 Base-T	
USB Host	USB 1.1 x 1	
Audio	Line Out x 1	
Processor	32 bit RISC CPU 400 MHz	
Flash Memory	128MB	
DRAM	64MB	
Memory card slot	SD	
RTC	Built-in Real Time Clock	
<b>General Specifications</b>		
Input Voltage	24± 10% VDC	
Power Consumption	250mA@24VDC	300mA@24VDC
CE	Complies with EN50081-2 and EN50082-2 Standard	
FCC	Complies with FCC Class A	
Vibration endurance	10 to 25 Hz (X,Y,Z direction 2G 30minutes)	
Protection Structure	NEMA4 / IP65 Front Panel	
Operating Temperature	10 °C ~ 45°C (14 °F ~ 113°F)	
Enclosure	Plastic	
VESA screw holes	75mm Screw holes	
Dimensions WxHxD	286 x 212 x 50mm	200 x 146 x 42.5mm
Panel Cutout Dimensions	192x138mm	259x201mm
Weight	Approx 0.85kg (1.87lb)	Approx 1.4kg (3.08lb)
Operating System	Windows CE.NET 5.0	

# IP-7i-CE X86 CPU Touch Panel Computer with 7" WVGA TFT Display



## Features

- 7" 800x480 TFT LCD
- 400MHz RISC CPU
- Fan-less cooling system
- NEMA4/IP65 compliant front panel
- LED Back Lights
- One USB Host and one USB client port
- SD card slot
- Power Isolator inside

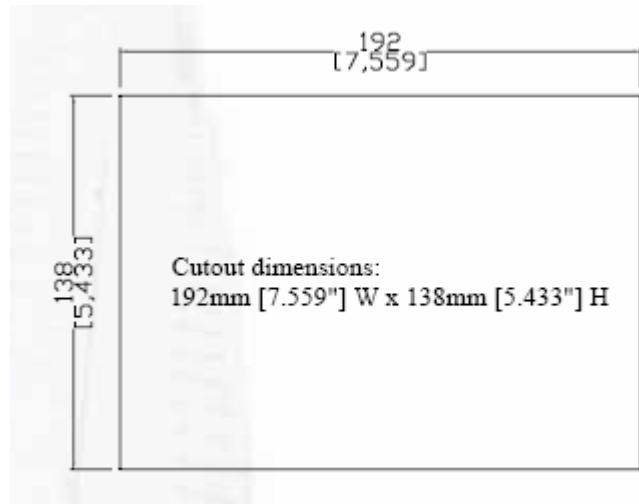
(Note: Sample HMI screen shown)

## Introduction

The IP-7i-CE is a miniature and compact platform with no redundant functions. Its RISC kernel, the ARM11 high performance micro-processor, supports Windows CE. ARM926EJ core integrates a 2D Graphics Accelerator and an added low power mode.

The IP-7i-CE is equipped with a USB 1.1 host, a USB 2.0 high speed device and SD card slot.

Specifications	
<b>Construction:</b>	plastic molding housing
<b>Display:</b>	7" color TFT LCD
<b>CPU and core logic:</b>	32 Bits RISC 400 MHz processor
<b>DRAM:</b>	64 MB DDR2 on board
<b>Storage:</b>	44-pin IDE interface. DOM
<b>I/O:</b>	3 serial ports: Com1: RS-232/RS-485 2w/4w, Com2: RS-232, Com3: RS-232/RS-485 2w
	1 Ethernet port (10/100Base-T)
	1 USB 1.1 host
	1 USB 2.0 high speed device
<b>RTC:</b>	Built-in
<b>Power input:</b>	24± 10% V <sub>DC</sub> ,250mA@24VDC
<b>Dimension (WxHxD):</b>	200 x 146 x 42.5mm
<b>Weight</b>	Approx. 0.85kg (1.87 lb)



## Environmental Specifications

- Operating temperature:** 10° ~ 45°C (14° ~ 113°F)
- Relative humidity:** 10% ~ 90% @ 40°C, non-condensing
- Shock (operation):** 10 to 25Hz(X,Y,Z direction 2G 30minutes)
- EMI:** Complies with FCC Class A
- CE:** Complies with EN50081-2 and EN50082-2 standards
- Front panel meets NEMA4 / IP65**

## Touchscreen

- Type:** 4-wire, analog resistive
- Resolution:** continuous
- Light transmission:** above 80%
- Life:** 1 million activation minimum

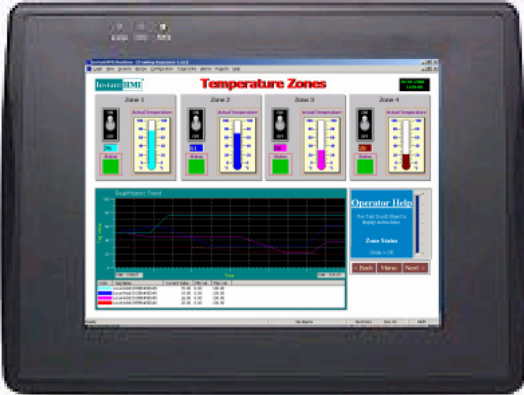
LCD Display	
<b>Display type</b>	TFT LCD
<b>Display size (diagonal)</b>	7"
<b>Max colors</b>	65536
<b>Resolution</b>	800 x 480
<b>Pixel pitch (HxV, mm)</b>	0.1905 x 0.0635
<b>Viewing angle (°)</b>	70/50/70/70(T/B/R/L)
<b>Luminance (cd/m<sup>2</sup>)</b>	450
<b>Backlight</b>	LED
<b>Backlight life time</b>	30,000 hrs.
<b>Contrast ratio</b>	500:1

## Ordering Info

45-IP70i-CE

**Note:** Manufacturer's warranty applies on all hardware. Specifications subject to change without notice.  
Copyright © 2005-2009 Software Horizons Inc., 100 Treble Cove Road, N. Billerica, MA 01862, USA [www.InstantHMI.com](http://www.InstantHMI.com)

# IP-10i-CE X86 CPU Touch Panel Computer with 10" WVGA TFT Display



## Features

- 10" 800x480 TFT LCD
- Fan-less cooling system
- Built-in flash memory and RTC
- NEMA4/IP65 compliant front panel
- LED Back Light
- One USB Host and one USB client port
- SD card slot
- Power Isolator inside

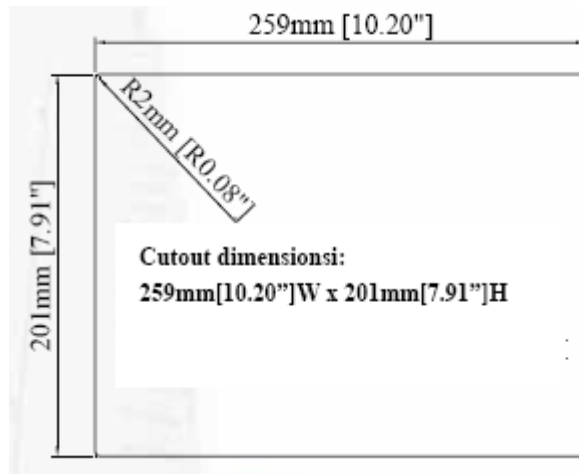
(Note: Sample HMI screen shown)

## Introduction

The IP-10i-CE is a miniature and compact platform that has no redundant functions. Its RISC kernel, the ARM11 high performance micro-processor, that supports Windows CE. The ARM926EJ core, the integration of a 2D Graphics Accelerator, an added low power mode.

The IP-10i-CE is equipped with a USB 1.1 host, a USB 2.0 high speed device and SD card slot.

Specifications	
<b>Construction:</b>	plastic molding housing
<b>Display:</b>	10" color TFT LCD
<b>CPU and core logic:</b>	32 Bits RISC 400 MHz processor
<b>DRAM:</b>	64 MB DDR2 on board
<b>Storage:</b>	128 MB flash memory on board, (User project size: 16MB, Data and Event log size: 50MB)
<b>I/O:</b>	3 serial ports: Com1: RS-232/RS-485 2w/4w, Com2: RS-232, Com3: RS-232/RS-485 2w 1 Ethernet port (10/100Base-T) 1 USB 1.1 host 1 USB 2.0 high speed device
<b>RTC:</b>	Built-in
<b>Power input:</b>	24± 10% V <sub>dc</sub> , 250mA@24VDC
<b>Dimension (WxHxD):</b>	286 x 212 x 50mm
<b>Weight</b>	1.4kg (3.08 lb)



## Environmental Specifications

- Operating temperature:** 10° ~ 45°C (14° ~ 113°F)
- Relative humidity:** 10% ~ 90% @ 40°C, non-condensing
- Shock (operation):** 10 to 25Hz(X,Y,Z direction 2G 30minutes)
- EMI:** Complies with FCC Class A
- CE:** Complies with EN50081-2 and EN50082-2 standards
- Front panel meets NEMA4 / IP65**

## Touchscreen

- Type:** 4-wire, analog resistive
- Resolution:** continuous
- Light transmission:** above 80%
- Life:** 1 million activation minimum

LCD Display	
<b>Display type</b>	TFT LCD
<b>Display size (diagonal)</b>	10"
<b>Max colors</b>	65536
<b>Resolution</b>	800 x 480
<b>Pixel pitch (HxV, mm)</b>	0.1905 x 0.0635
<b>Viewing angle (°)</b>	45/65/65/65(T/B/R/L)
<b>Luminance (cd/m<sup>2</sup>)</b>	350
<b>Backlight</b>	LED
<b>Backlight life time</b>	30,000 hrs.
<b>Contrast ratio</b>	300:1

## Ordering Info

45-IP10i-CE

**Note:** Manufacturer's warranty applies on all hardware. Specifications subject to change without notice.

Copyright © 2005-2009 Software Horizons Inc., 100 Treble Cove Road, N. Billerica, MA 01862, USA [www.InstantHMI.com](http://www.InstantHMI.com)

